

MITEK POSI-STRUT Installation Guidelines



IMPORTANT: These guidelines are offered to the user to help with proper installation of the system and insure the structural integrity of the finished product. These recommendations are presented only as a general guide. In some instances additional precautions may be required. For more information contact your POSI-STRUT supplier.

C.C.M.C. Acceptance No.: 12691-R

IMPORTANT:

Store the Posi-Strut floor trusses in a vertical position and protect them from prolonged contact with the ground or exposure to extreme weather.

Install all strongbacks, ribbons, and bracing at the locations specified on the installation drawings before walking on the floor trusses.

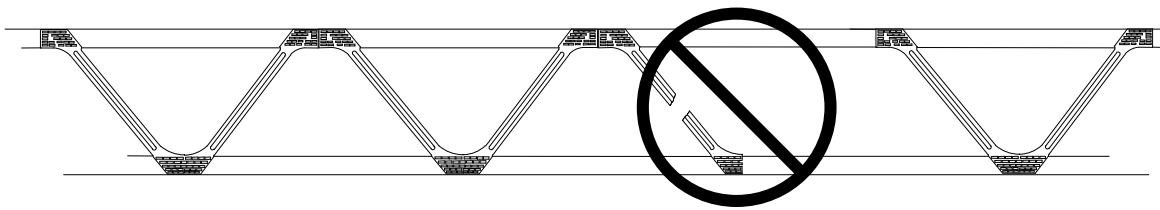
Do not store construction materials that exceed design loads on the floor, even for a short period of time.

All bearing points of the Posi-Strut trusses must be restrained in a manner to prevent lateral movement or toppling.

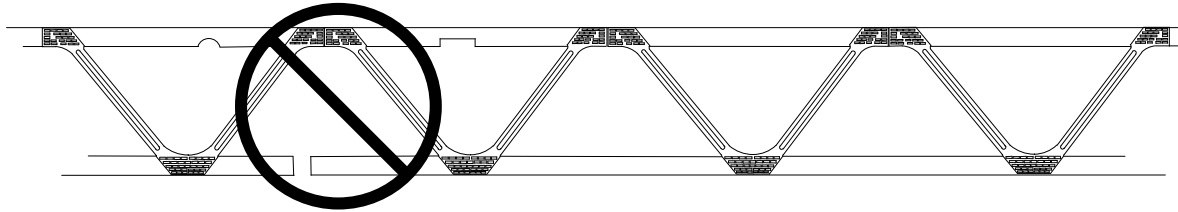
Do not cut, drill, or modify the Posi-Strut trusses.

Glue, and nail or screw the subfloor to the Posi-Strut trusses.

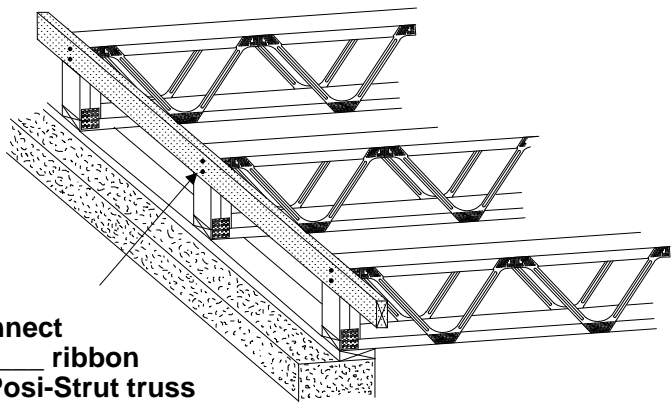
DO NOT CUT OR REMOVE METAL WEBS



DO NOT CUT, NOTCH, OR DRILL TOP OR BOTTOM CHORDS

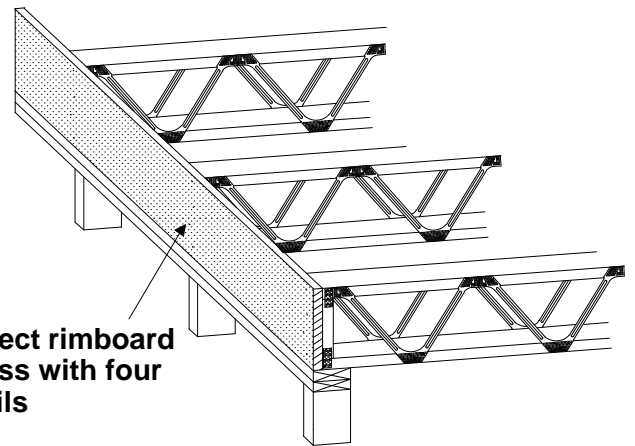


2 x ___ Ribbon Detail



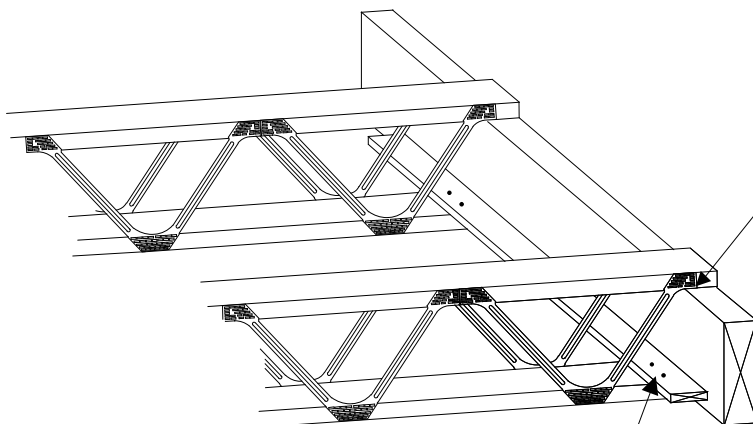
Connect
2 x ___ ribbon
to Posi-Strut truss
with two 3" nails

Rimboard Detail



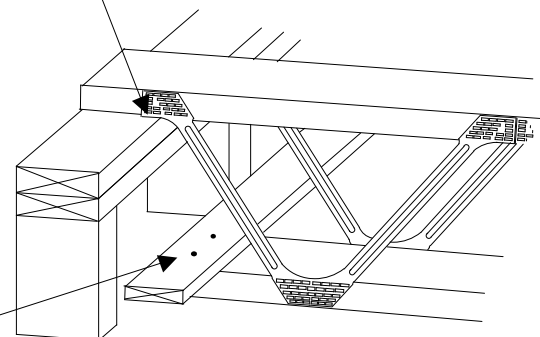
Connect rimboard
to truss with four
3" nails

Top Chord Bearing Detail



Connect 1 x 3 lateral brace
to bottom chord with two
2.5" nails if no gypsum ceiling

IMPORTANT:
The metal web must overlap
bearing by a minimum of 1"
for the top chord bearing detail.

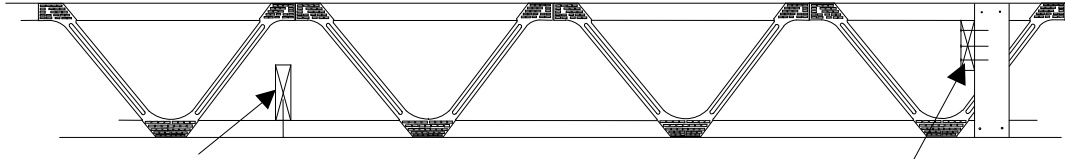


STRONGBACK INSTALLATION

To minimize vibration common to all shallow floor framing systems, strongback bridging is required. Please refer to Posi-Strut fabricator's installation drawings for size, connection method, and spacing of strongbacks.

Strongback Connection Methods

Method A

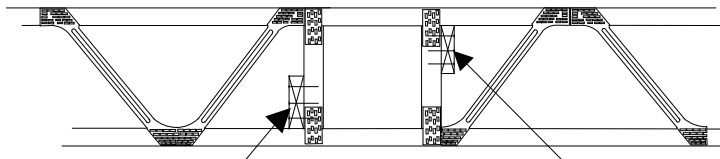


Method B

Connect strongback to 2 x 4 scab with three 3" nails which is face nailed to top and bottom chord with two 3" nails (per chord).

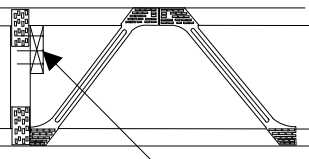
Screw strongback to chord (top or bottom) with two 3" #8 screws. Method "A" is allowed up to a maximum strongback size of 2 x 6. If a strongback greater than 2 x 6 is required, method B, C, or D must be used for strongback connection.

Method C



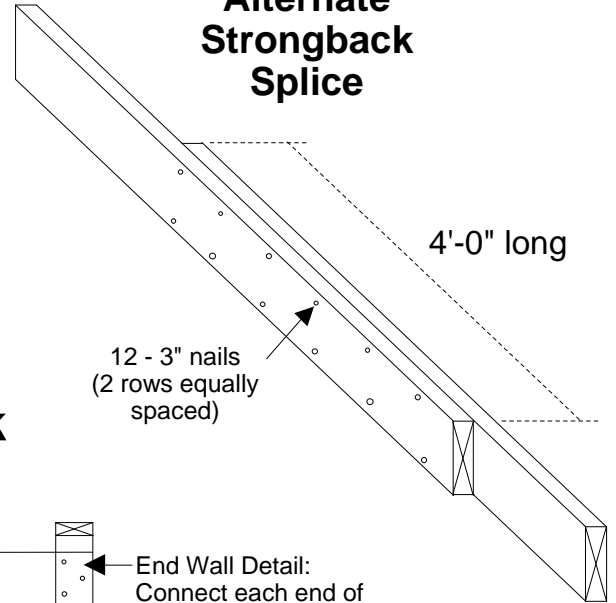
Connect strongback to vertical post below metal web with three 3" nails.

Method D

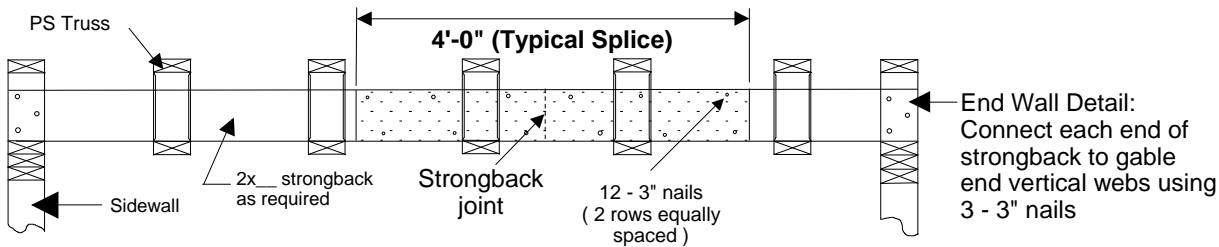


Connect strongback to vertical post above metal web with three 3" nails.

Alternate Strongback Splice

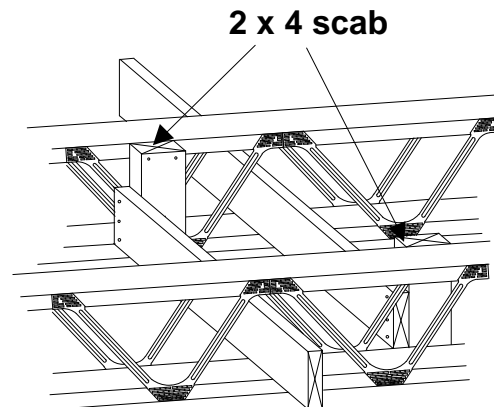


Typical Splice For Strongback



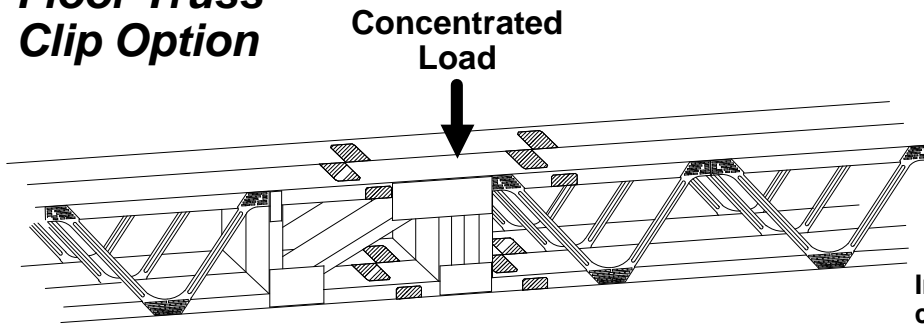
Strongback Overlap

Where strongbacks can not be continuous through the floor system, overlap strongbacks by one truss spacing and connect to Posi-Strut truss using a 2 x 4 scab as per strongback connection Method "B".



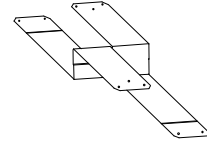
Two-Ply Posi-Strut Girder Connection

Floor Truss Clip Option



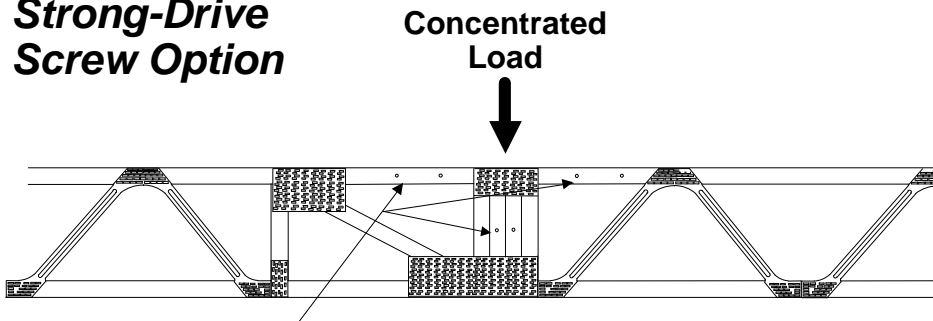
Floor Truss Clip

2 ply 3x2: FTC32
2 ply 4x2: FTC1



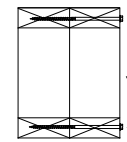
Install required number of floor truss clips at specified locations as per fabricator's engineered, Posi-Strut truss design. Ten, 1-1/2" long, 10d nails required per clip.

Strong-Drive Screw Option



Install Simpson Strong-Drive screws into top chords and/or vertical posts (SDS 1/4 x 4 1/2 for 2 ply 3x2 & SDS 1/4 x 6 for 2 ply 4x2) as per fabricator's engineered, Posi-Strut truss design.

2 Ply 3x2 or 4x2
Posi-Strut
Girder

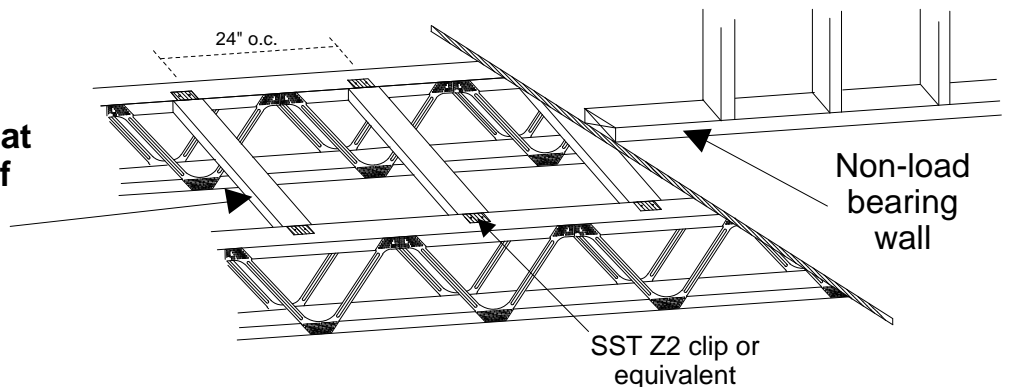


Concentrated
Load

Install SDS screws from loaded side of the Posi-Strut truss.

Non-load bearing wall parallel with Posi-Strut trusses

Connect 4 x 2 blocking at 24" o.c. to top chords of Posi-Strut trusses with Simpson Strong-Tie Z2 clip or equivalent.



MiTek Canada, Inc.

100 Industrial Road, Bradford
Ontario, Canada, L3Z 3G7
Tel: (905) 775-5337

www.mitek.ca

Your Authorized MiTek POSI-STRUT Supplier